

Kathrein offers the most comprehensive UHF RFID antenna portfolio. For applications in the read range up to 200 cm, the MidRange 100° PRO antennas are available for such application.

The MidRange antennas have been developed for applications in the read range between the near and far field. The compact design is perfect for integration in space-critical applications. The antenna can also be excellently used in machines or in metallic installation spaces. As a very robust variant the S-MidRange 100° PRO antenna can be used. Here, the influences of metal are reduced, and the reading range is still up to 100 cm.

The antennas can be used both indoors with droplet formation and spray mist, as well as outdoors with all environmental influences.



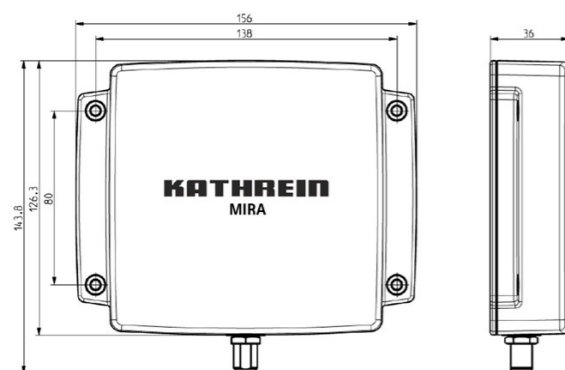
Features

- Integration possible in applications where space is limited
- Wide-open 100° reading zone
- very robust against influence of metal (S-MidRange)
- circular polarisation with very good axial ratio
- ideal for near-field/fare-field applications up to 200 cm
- small and robust design
- high IP67 degree of protection
- suitable for outdoor use
- available for Europe, US and RoW

Key Applications

- Logistics
 - for the registration of containers
 - for personnel registration at access doors
- Industrial automation
 - for detection on conveyor belts
 - for use on industrial vehicles

Dimensions [mm]



Note

The dimensions for MidRange and S-MidRange antennas are identical.
Risk of material damage!

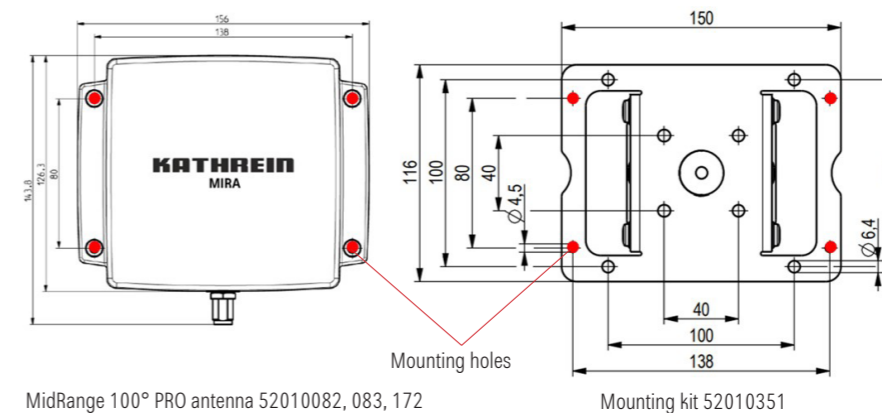
- Please ensure that the underlying surface is clean, load-bearing and free of conductors.
- To mount the antenna, please use four M4 screws

General Specifications

Type		ETSI Version MidRange 100° PRO	FCC Version MidRange 100° PRO	ETSI/FCC Version S-MidRange 100° PRO
Order number		52010082	52010083	52010172
RFID				
Frequency range	[MHz]	865–868	902–928	865–928
Impedance antenna port	[Ohm]		50	
Antenna gain	[dBiC]	2.5 @866 MHz	2.5 @915 MHz	-12 @866 MHz -10 @915 MHz
Far field half-power beam width	[°]		100	
Polarization			circular	
Axial ratio	[dB]		typ. 2	
Front-to-back ratio	[dB]		10	
Max. input power (at antenna port)	[dBm]	-	+30 (FCC 15.247)	+30 (ETSI EN 302 208)
Max. radiated power	[dBm]	+30ERP (ETSI EN 302 208)	-	
Max read range	[cm]		200	100
VSWR		typ. 1.3:1	typ. 1.5:1	typ. 1.4:1
Mechanic properties				
Connection	[°C]		TNC female	
Weight	[kg]		0.32	
Degree of protection	[W]		IP67	
Operating temperature range	[°C]		-20 to +55	
Storage temperature range	[°C]		-40 to +85	
Dimensions (L x W x H)	[mm]		126.3 x 156 x 36	
Packing size (L x W x H)	[mm]		165 x 250 x 50	
Housing material			weather-resistant polymer blend, colour: RAL7045	

Mounting with MK-WPM3-OSS

Due to the almost spherical reading zone (2m, 100°), there is usually no need to align the MidRange 100° PRO antennas and they can be mounted flat on the ground. However, if it is necessary to align the antennas, the mounting kit 52010351 can be used.



MidRange 100° PRO antenna 52010082, 083, 172

Mounting kit 52010351