

Kathrein offers the most comprehensive UHF RFID antenna portfolio. For applications in the read range up to 5m, the WideRange 60° PRO antenna is available. The characteristic of the selective reception zone known from the SMSH antenna family is transferred to an IP67-protected antenna. The antenna thus offers an extremely homogenous reading range, which is made possible by the high front-to-back ratio. It is therefore suitable for static detection of multiple transponders. Due to its slim design, the antenna can be integrated into various applications.



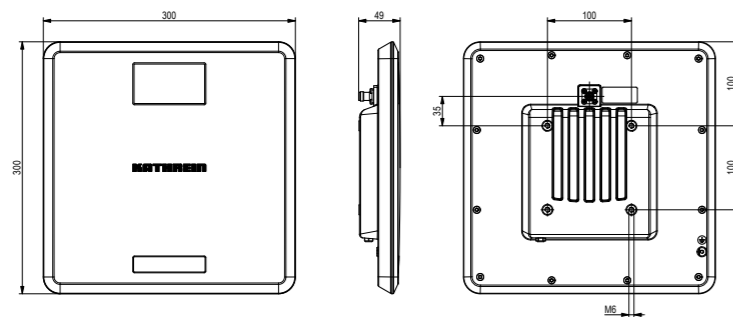
Features

- Kathrein SMSH smart shelf antenna in an outdoor approved housing
- Strong separation of read/no-read zone
- Very homogenous reading field
- Extremely high front-to-back ratio
- Ideal for near-field/far-field applications up to 500 cm
- Thin and robust design
- High IP67 degree of protection
- Suitable for outdoor use
- Available for Europe, US and RoW

Key Applications

- Manufacturing and Automotive
 - for bulk collection of containers
 - for selective gates and read tunnels
- Logistics
 - for the registration of containers
 - separation of goods and containers

Dimensions [mm]



Note

Risk of material damage!

- ▶ Please ensure that the underlying surface is clean, load-bearing and free of conductors.
- ▶ To mount the antenna, please use the four M6 screws to fix mounting kit.
- ▶ The max. tightening torque is 1.4 Nm.

General Specifications

Type		ETSI Version WideRange 60° PRO	FCC Version WideRange 60° PRO
Order number		52010423	52010424
RFID			
Frequency range	[MHz]	865–868	902–928
Impedance antenna port	[Ohm]	50	
Antenna gain	[dBiC]	5.5 @866 MHz	5.5 @915 MHz
Far field half-power beam width	[°]	60 / 60	
Polarization		Circular / RHCP*	
Axial ratio	[dB]	typ. 1	
Front-to-back ratio	[dB]	>19	
Max. input power (at antenna port)	[dBm]		+30 (FCC 15.247)
Max. radiated power	[dBm]	+33 ERP (ETSI EN 302 208)	+32.5 ERP (FCC 15.247)
Max read range	[cm]	500	
VSWR		typ. 1.2:1	
Mechanic properties			
Connection		TNC female	
Weight	[kg]	1.7	
Degree of protection	[W]	IP67	
Operating temperature range	[°C]	-40 to +70	
Storage temperature range	[°C]	-40 to +85	
Dimensions (L x W x H)	[mm]	300 x 300 x 48	
Packing size (L x W x H)	[mm]	350 x 350 x 80	
Antenna cover		weather-resistant polymer blend, colour: RAL7035	
Chassis		aluminium, powder coated	

*) right-handed circular polarisation

Mounting options

The WideRange 60° PRO antenna offers two mounting options. It can be mounted with the wall mount kit 52010351 or directly into a shelf with the shelf mount kit 52010479.

